

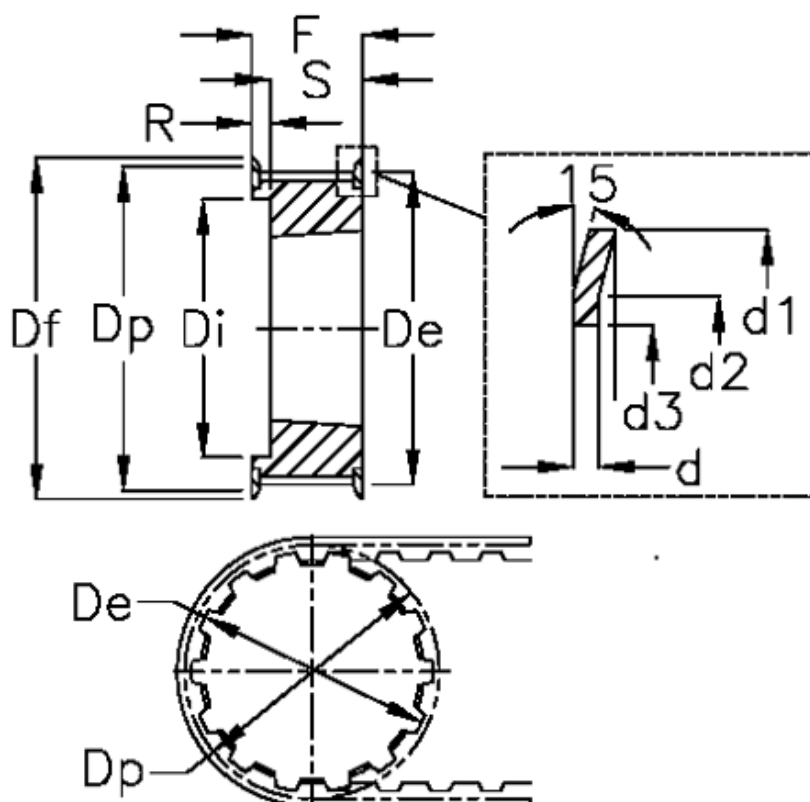
Data Sheet



Article number: 604132040020

Description: Taper bored timing belt pulley
HTD 40 8M 20 TL 1610

Measures



$d = 1.5$	$F = 28$	Weight = 1
$d1 = 106$	Flange type = F35	Width = 20
$d2 = 101$	For bushing = 1610	
$d3 = 90$	Max bore = 42	
$De = 100.49$	$r = 3$	
$Df = 106$	$S = 25$	
$Di = 76$	Tooth number = 40	
$Dp = 101.86$	Type = 8M	